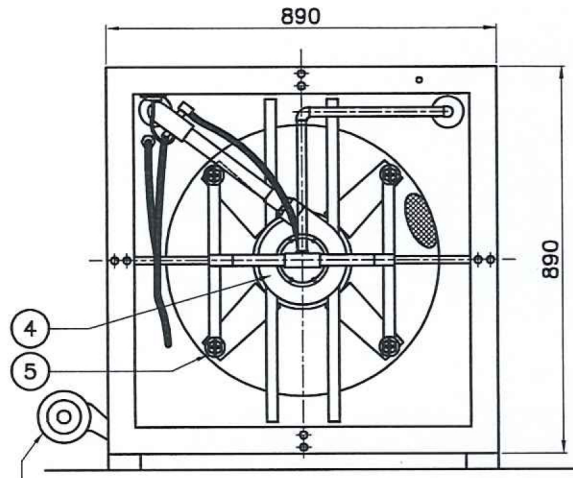
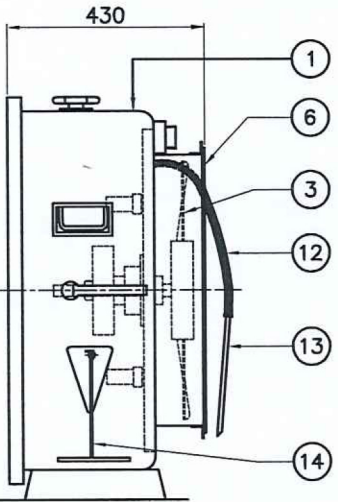


PLAN



ELEVATION



SIDE VIEW

PERFORMANCE WITH HIGH EXPANSION FOAM	INLET PRESSURE Kg/Cm ²	TOTAL WATER FLOW L.P.M.	BY PASS FLOW L.P.M.	WATER USED FOR MAKING FOAM L.P.M.	EXPANDED FOAM PRODUCE (m ³ /min.)	EXPANSION (±10%)
WITH BY PASS OPEN	7	230	85	145	145	800 TO 1100
WITH BY PASS CLOSE	7	220	NIL	220	132	500 TO 750

SR.	DESCRIPTION	MATERIAL / SPECIFICATION
20	2-1/2" NH MALE THREADED OUTLET	ALU. ALLOY
19	SMOKE EXTRACTION DUCTING (7.5 MTR Lg.) (NOT SHOWN)	NYLON REINFORCED POLYTHENE
18	FOAM MAKING NET (NOT SHOWN)	NYLON
17	FOAM DUCTING (20 MTR Lg.) (NOT SHOWN)	POLYETHYLENE
16	WATER ON-OFF LEVER	ALU., ALLOY
15	CASTOR WHEEL	NYLON
14	TOWING HANDLE	M.S.
13	STRAINER	STAINLESS STEEL
12	PICK-UP TUBE	PVC BRAIDED
11	PRESSURE GAUGE	STAINLESS STEEL
10	2-1/2" NH FEMALE THREADED INLET	ALU. ALLOY
9	BYPASS VALVE	ALU. ALLOY
8	FOAM MAKING NET (not shown)	NYLON
7	PIPE & FITTINGS	COPPER
6	FAN SAFETY GUARD (WIRE MESH)	STAINLESS STEEL
5	SPRAY NOZZLE	BRASS
4	TURBINE	GUNMETAL
3	FAN BLADE	ALU. ALLOY
2	FAN HOLDER	ALU. ALLOY
1	BODY	FRP

PO. NO. : USFP-4214
 DATE: 08.11.2024
 QTY: 02 NOS.



- NOTES:**
- ALL DIMENSIONS ARE IN 'MM'.
 - INLET: 2-1/2" NH FEMALE THREADED
 - FOAM INDUCTION: FIXED FOAM INDUCTION SUITABLE WITH HIGH EXPANSION FOAM ONLY.
 - FINISH: YELLOW EPOXY PAINT.
 - MARKING: MFGR. NAME, YEAR OF MFG. & SR. NO.
 - WEIGHT: 65 KG. APPROX. WITHOUT DUCTING & ACCESSORIES.

TITLE :	HIGH EXPANSION FOAM GENERATOR (HI-EX) (MK-2)			02		
				01	SUBMISSION FOR APPROVAL	11/11/24
SPECIFICATION :	MATERIAL : AS PER BOM			REV.	MODIFICATION	DATE
	CLIENT: M/s. US FIRE PUMP COMPANY LLC			SCALE	NAME	DATE
US FIRE PUMP				NTS	DRN.	A.J.R. 30/09/24
				A4	CHK.	S.H.S. 30/09/24
				REV. 1	APPD.	S.L.V. 30/09/24
				TOLERANCE: AS INDICATED OR OPEN		
				DRG. NO. : NFPI-24-1029		

This drawing & design is of "Newage Fire Protection Industries Pvt. Ltd." & must not be copied or lend without their permission in writing.

For performance achievement actual dimensions/shape may vary as necessary.