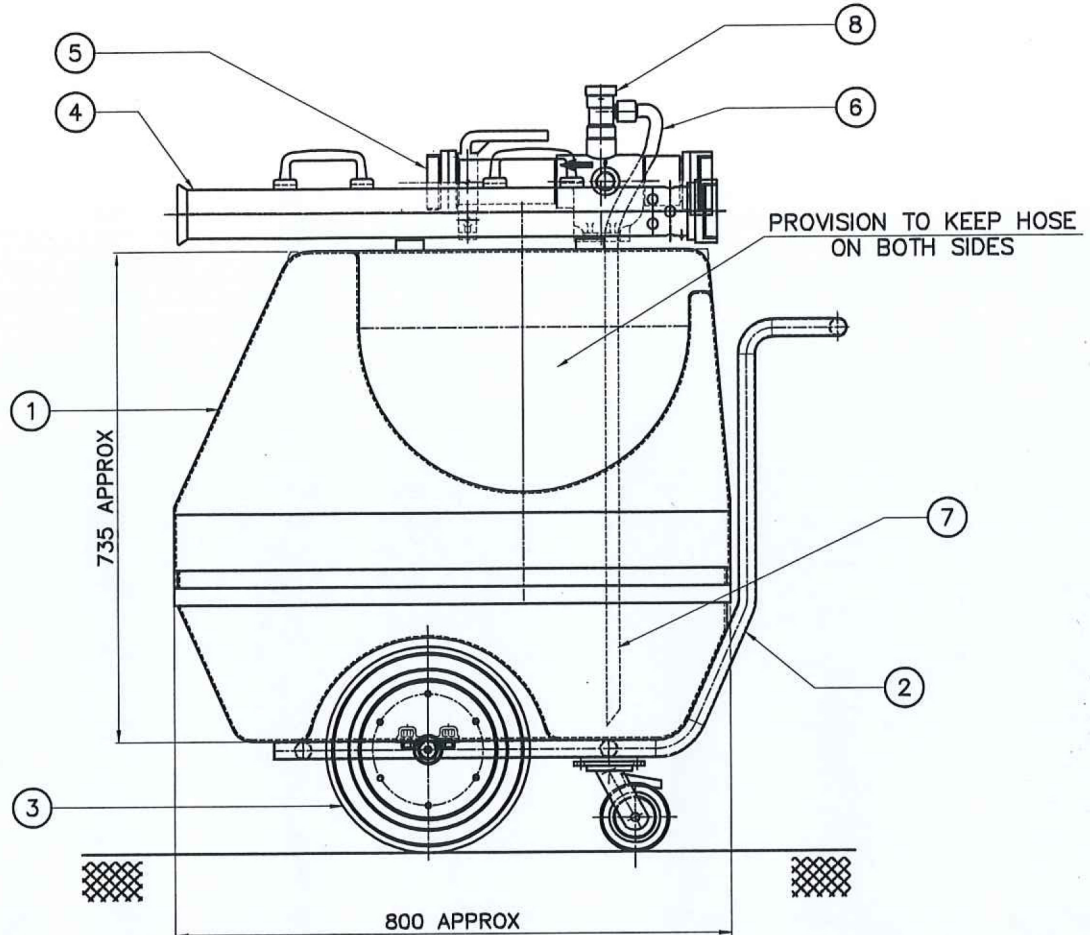


For performance achievement actual dimensions/shape may vary as necessary.



NOTES:

1. ALL DIMENSIONS ARE IN 'MM'.
2. CAPACITY OF TANK: 200 LTRS.
3. EQUIPMENTS:
 - A) INLINE INDUCTOR:
 - a) INLET: 2 1/2" FEMALE NH THREADED
 - b) OUTLET: 2 1/2" MALE NH THREADED
 - c) FLOW CAPACITY: 450 LPM AT 7 BAR.
 - d) FOAM INDUCTION: 3% OR 6%
 - B) FOAM MAKING BRANCH PIPE (FB-10)
 - a) INLET: 2 1/2" FEMALE NH THREADED
 - b) FLOW CAPACITY: 450 LPM
4. FINISH:
 - a. TANK: PAINTED WITH YELLOW COLOR
 - b. CHASSIS : NATURAL FINISH
5. HOSE STORAGE RACK SUITABLE TO KEEP 2 SETS OF Ø63x15 MTRS. LONG HOSE WITH HOSE COUPLING.

PO. NO. : USFP-4214
 DATE: 08.11.2024
 QTY: 01 NO.



SR.	DESCRIPTION	MATL. / SPECIFICATION
8	METERING VALVE	ALU. ALLOY
7	PICK-UP TUBE LANCE	S.S. 304
6	PICK-UP TUBE	PVC BRAIDED
5	INLINE INDUCTOR	ALU. ALLOY
4	FOAM MAKING BRANCH PIPE (FB-10)	ALU. ALLOY
3	WHEEL	SOLID RUBBER
2	CHASSIS	S.S. 304
1	FOAM TANK (200 LTRS.)	FRP.

TITLE : **MOBILE FOAM UNIT (200 LTRS.)**

SPECIFICATION :

MATERIAL : AS PER BOM

CLIENT : M/s. US FIRE PUMP COMPANY LLC

REV.	MODIFICATION	DATE	SIGN
02			
01	SUBMISSION FOR APPROVAL	11/11/24	
NTS	DRN.	N.D.T.	30/09/24
A4	CHK.	S.H.S.	30/09/24
REV. 1	APPD.	S.L.V.	30/09/24



TOLERANCE : AS INDICATED OR OPEN
 DRG. NO. : NFPI-24-1023



This drawing & design is of 'Newage fire protection' & must not be copied or lend without their permission in writing.