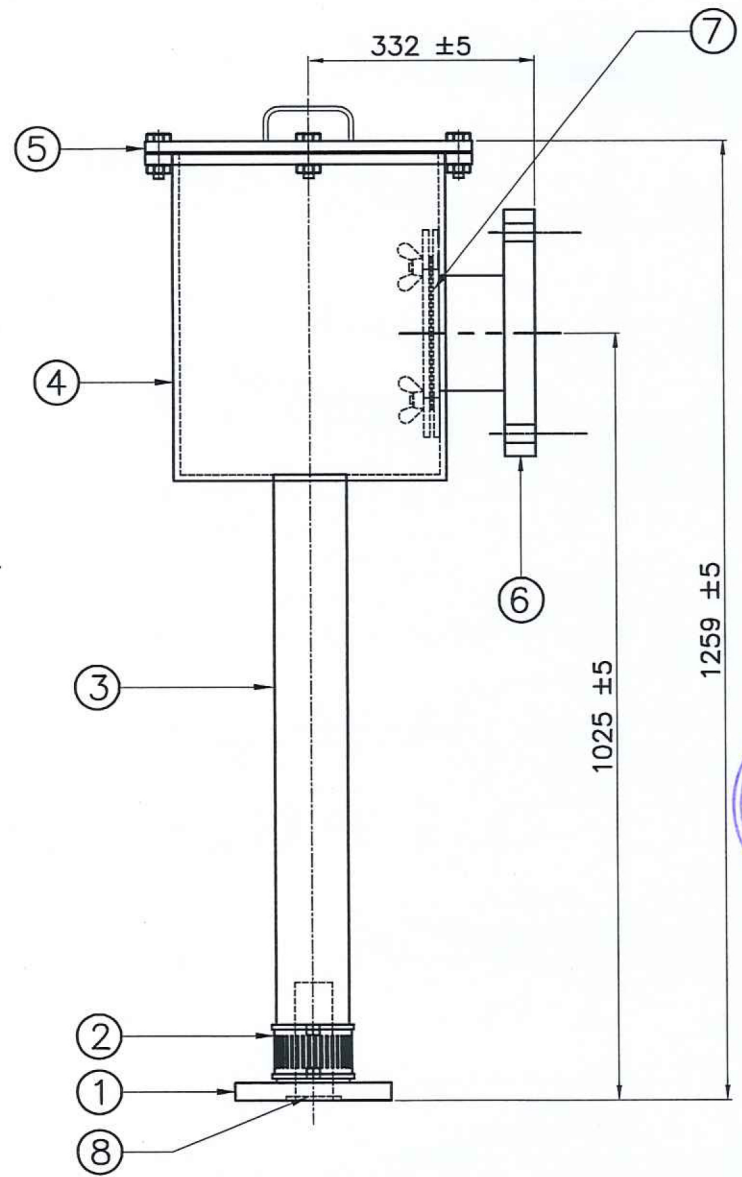


'UL' LISTED FILE#: EX28788


- NOTE:
1. ALL DIMENSION ARE IN 'MM'.
 2. APPROVAL: 'UL' LISTED
 3. MODEL NO.:
 - a) FOAM CHAMBER: NFPI-FC-S-150
 - b) FOAM DEFLECTOR: NFPI-FD-S-250
 4. INLET: 150 NB FLANGE AS PER ANSI B16.5, 150#, F/F.
 5. OUTLET: 250 NB FLANGE AS PER ANSI B16.5, 150#, F/F.
 6. WORKING PRESSURE: 3 TO 7 KG/CM2.
 7. VAPOUR SEAL RUPTURE PRESSURE: 0.7 KG/CM2 TO 1.75 KG/CM2
 8. FLOW: 1800 TO 2700 LPM. ±5%
 9. FOAM CONCENTRATE: 3% AFF
 10. FINISH: PAINTED WITH FIRE RED



PO. NO. : USFP-4214
 DATE:08.11.2024
 QTY: 01 NO.



SR.NO.	DESCRIPTION	MATERIAL/SPECIFICATION
9	FOAM DEFLECTOR	S.S. 316
8	ORIFICE	S.S. 316
7	VAPOUR SEAL	GLASS
6	250mm NB OUTLET FLANGE	S.S. 316
5	INSPECTION COVER	S.S. 316
4	FOAM CHAMBER	S.S. 316
3	FOAM INLET PIPE	S.S. 316
2	AIR STRAINER	S.S. 316
1	150mm NB INLET FLANGE	S.S. 316

TITLE : FOAM CHAMBER WITH VAPOUR SEAL (150 X 250 NB)	02			
	01	SUBMISSION FOR APPROVAL	11/11/24	
SPECIFICATION :	REV.	MODIFICATION	DATE	
	SCALE	NAME	DATE	SIGN
MATERIAL : AS PER BOM	NTS	DRN.	A.J.R.	30/09/24
CLIENT : M/s. US FIRE PUMP COMPANY LLC	A4	CHK.	S.H.S.	30/09/24
	REV. 1	APPD.	S.L.V.	30/09/24
	TOLERANCE : AS INDICATED OR OPEN			
	DRG. NO. : NFPI-24-1026			

This drawing & design is of "Newage Fire Protection Industries Pvt. Ltd." & must not be copied or lend without their permission in writing.

For performance achievement actual dimensions/shape may vary as necessary.