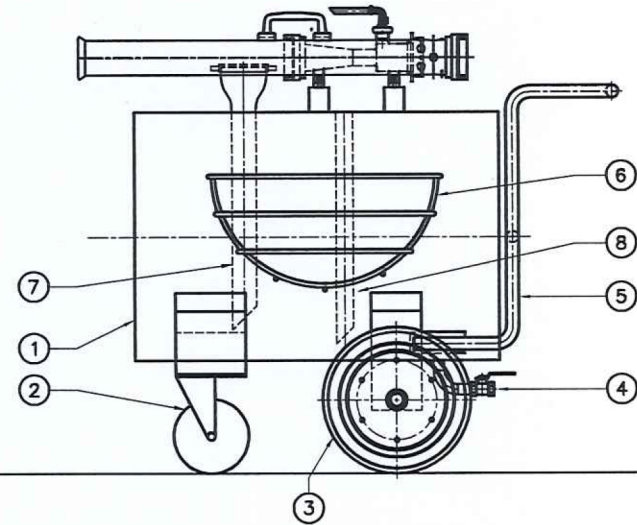
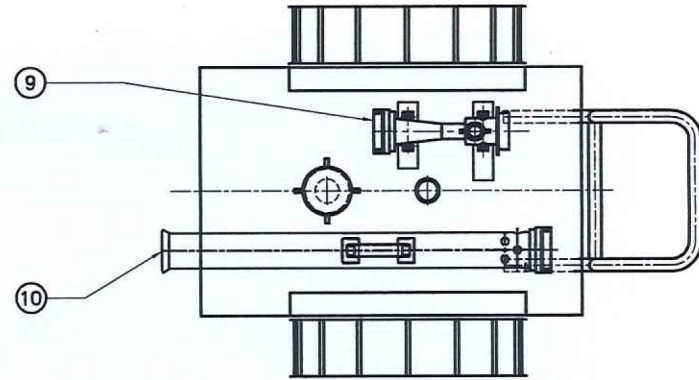
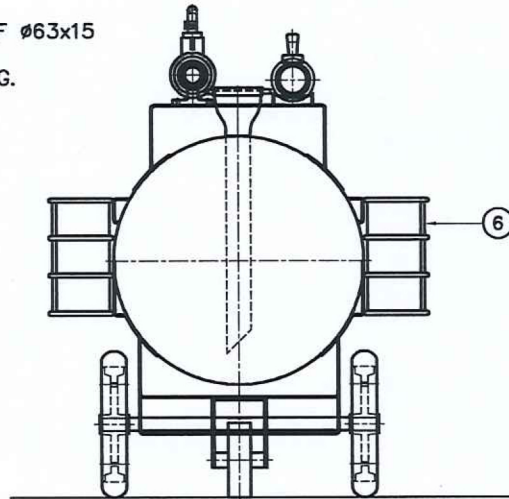


NOTES:

1. ALL DIMENSIONS ARE IN 'MM'.
2. MAKE: NEWAGE FIRE PROTECTION INDUSTRIES PVT. LTD
3. CAPACITY OF TANK: 150 LTRS.
4. EQUIPMENTS:
 - A) INLINE INDUCTOR:
 - a) INLET: 2 1/2" FEMALE NH THREADED
 - b) OUTLET: 2 1/2" MALE NH THREADED
 - c) MATERIAL: S.S.316
 - d) FLOW CAPACITY: 225 LPM AT 7 BAR.
 - e) FOAM INDUCTION: 3% OR 6%
 - B) FOAM MAKING BRANCH PIPE (FB-5)
 - a) INLET: 2 1/2" FEMALE NH THREADED
 - b) FLOW CAPACITY: 225 LPM
5. FINISH:
 - a. TANK: PAINTED WITH FIRE RED COLOR
 - b. CHASSIS : NATURAL FINISH
 6. HOSE STORAGE RACK SUITABLE TO KEEP 2 SETS OF ø63x15 MTRS. LONG HOSE WITH HOSE COUPLING.
7. MARKING : MFG. NAME, SIZE, SR. NO., YEAR PF MFG.



PO. NO. : USFP-4214
 DATE: 08.11.2024
 QTY: 01 NO.



For performance achievement actual dimensions/shape may vary as necessary.

10	FOAM MAKING BRANCH PIPE (FB-5)	S.S. 316
9	INLINE INDUCTOR	S.S. 316
8	FOAM SUCTION PIPE	S.S. 316
7	FOAM FILLING PIPE WITH CAP	S.S. 316
6	HOSE STORAGE RACK	S.S. 316
5	TROLLEY HANDLE	S.S. 316
4	1/2" DRAIN VALVE	S.S. 316
3	TYRE	SOLID RUBBER
2	CASTOR WHEEL	SOLID RUBBER
1	FOAM TANK - 150 LTRS.	S.S. 316
SR.	DESCRIPTION	MATERIAL/SPECIFICATION

TITLE :
MOBILE FOAM UNIT-150 LTRS.

SPECIFICATION :

MATERIAL : AS PER BOM

CLIENT : M/s. US FIRE PUMP COMPANY LLC



02				
01	SUBMISSION FOR APPROVAL			11/11/24
REV.	MODIFICATION		DATE	SIGN
SCALE		NAME	DATE	SIGN
NTS	DRN.	N.D.T.	30/09/24	<i>[Signature]</i>
A4	CHK.	S.H.S.	30/09/24	<i>[Signature]</i>
REV. 1	APPD.	S.L.V.	30/09/24	<i>[Signature]</i>
TOLERANCE : AS INDICATED OR OPEN				
DRG. NO. : NFPI-24-1028				

This drawing & design is of "Newage Fire Protection Industries Pvt. Ltd." & must not be copied or lend without their permission in writing.