

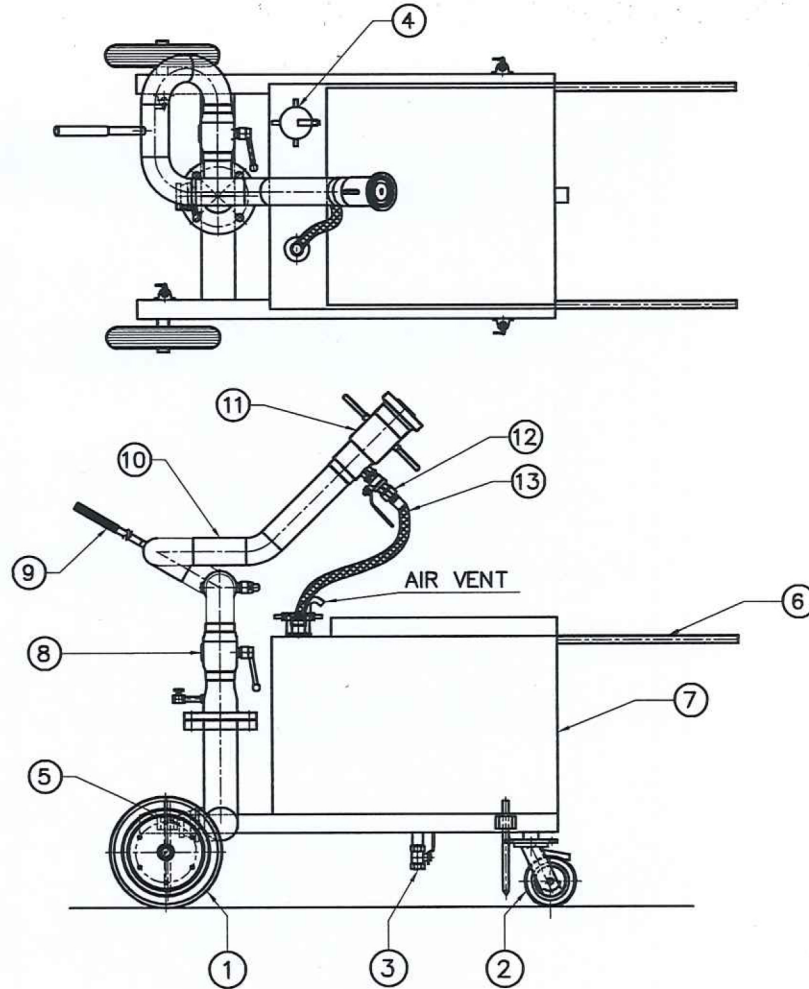
NOTES:

1. ALL DIMENSIONS ARE IN 'MM'.
2. PERFORMANCE AT 7 Kg/Cm2 AT IN STILL AIR CONDITION.
 - a) FLOW RATE: 350 GPM
 - b) HORIZONTAL WATER THROW: 35 MTRS
 - c) HORIZONTAL FOAM THROW: 27 MTRS.
3. HYDRAULIC PRESSURE OF 23 Kg/cm2 FOR 5 MINUTES. SHALL NOT SHOW ANY SIGN OF LEAKAGE.
4. ROTATION (i) HORIZONTAL: 360° (ii) VERTICAL: +90° & -45°
5. FINISH: PAINTED WITH FIRE RED COLOR
6. MARKING: -
 - a) MANUFACTURER'S NAME.
 - b) SERIAL No.
 - c) YEAR OF MANUFACTURE.
 - d) CAPACITY IN GPM

PO. NO. : USFP-4214
 DATE: 08.11.2024
 QTY: 02 NOS.



13	PICK-UP TUBE WITH S.S DIP TUBE	PVC WIRE BRAIDED
12	FOAM INDUCTION ISOLATION VALVE	S.S.304
11	AQUA FOAM NOZZLE	ALUMINIUM ALLOY
10	MONITOR WATER WAY	CS
9	HANDLE	M.S.
8	SWIVEL JOINT	GUNMETAL
7	FOAM TANK (200 LTR. CAPACITY)	S.S. 316 (2mm THK.)
6	TROLLEY HANDLE	M.S.
5	2-1/2" MALE INST. ADAPTOR	S.S. 304
4	FILLING CAP	S.S. 304
3	DRAIN VALVE	S.S. 304
2	CASTOR WHEEL	RUBBER
1	WHEEL (TYRE)	RUBBER
SR.	DESCRIPTION	MATERIAL / SPECIFICATION



TITLE:	MOBILE FOAM TROLLEY WITH MONITOR CAP. 350 GPM AT 7 KG/CM2			02		
		01	SUBMISSION FOR APPROVAL	11/11/24		
SPECIFICATION :	REV.	MODIFICATION		DATE		
	SCALE	NAME	DATE	SIGN		
MATERIAL : AS PER BOM	NTS	DRN.	A.J.R.	30/09/24	[Signature]	
CLIENT : M/s. US FIRE PUMP COMPANY LLC	A4	CHK.	S.H.S.	30/09/24	[Signature]	
	REV. 0	APPD.	S.L.V.	30/09/24	[Signature]	
	TOLERANCE : AS INDICATED OR OPEN				[Symbol]	
	DRG. NO. : NFPI-24-1030				[Symbol]	



This drawing & design is of "Newage Fire Protection Industries Pvt. Ltd." & must not be copied or lend without their permission in writing.

For performance achievement actual dimensions/shape may vary as necessary.