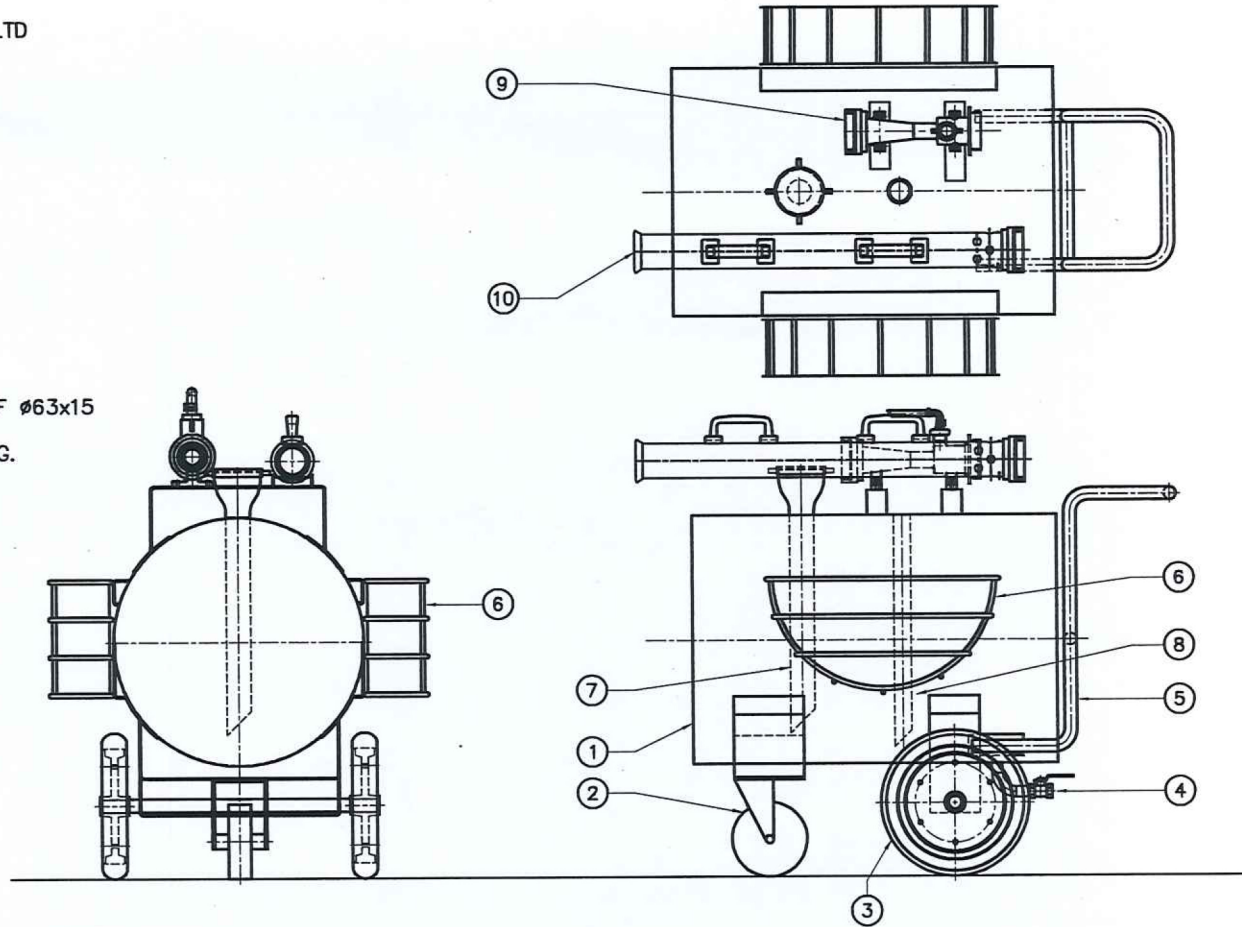


NOTES:

1. ALL DIMENSIONS ARE IN 'MM'.
2. MAKE: NEWAGE FIRE PROTECTION INDUSTRIES PVT. LTD
3. CAPACITY OF TANK: 200 LTRS.
4. EQUIPMENTS:
 - A) INLINE INDUCTOR:
 - a) INLET: 2 1/2" FEMALE NH THREADED
 - b) OUTLET: 2 1/2" MALE NH THREADED
 - c) MATERIAL: S.S.316
 - d) FLOW CAPACITY: 450 LPM AT 7 BAR.
 - e) FOAM INDUCTION: 3% OR 6%
 - B) FOAM MAKING BRANCH PIPE (FB-10)
 - a) INLET: 2 1/2" FEMALE NH THREADED
 - b) FLOW CAPACITY: 450 LPM
5. FINISH:
 - a. TANK: PAINTED WITH FIRE RED COLOR
 - b. CHASSIS : NATURAL FINISH
6. HOSE STORAGE RACK SUITABLE TO KEEP 2 SETS OF ø63x15 MTRS. LONG HOSE WITH HOSE COUPLING.
7. MARKING : MFG. NAME, SIZE, SR. NO., YEAR PF MFG.

PO. NO. : USFP-4214
 DATE: 08.11.2024
 QTY: 01 NO.



For performance achievement actual dimensions/shape may vary as necessary.

10	FOAM MAKING BRANCH PIPE (FB-10)	S.S. 316
9	INLINE INDUCTOR	S.S. 316
8	FOAM SUCTION PIPE	S.S. 316
7	FOAM FILLING PIPE WITH CAP	S.S. 316
6	HOSE STORAGE RACK	S.S. 316
5	TROLLEY HANDLE	S.S. 316
4	1/2" DRAIN VALVE	S.S. 316
3	TYRE	SOLID RUBBER
2	CASTOR WHEEL	SOLID RUBBER
1	FOAM TANK - 200 LTRS.	S.S. 316
SR.	DESCRIPTION	MATERIAL/SPECIFICATION

TITLE :		02		
MOBILE FOAM UNIT-200 LTRS.		01		SUBMISSION FOR APPROVAL 11/11/24
SPECIFICATION :		REV.	MODIFICATION	
MATERIAL : AS PER BOM		SCALE	NAME	DATE
CLIENT : M/s. US FIRE PUMP COMPANY LLC		NTS	DRN.	N.D.T. 30/09/24
		A4	CHK.	S.H.S. 30/09/24
		REV. 1	APPD.	S.L.V. 30/09/24
TOLERANCE : AS INDICATED OR OPEN				
DRG. NO. : NFPI-24-1032				

This drawing & design is of 'Newage Fire Protection Industries Pvt. Ltd.' & must not be copied or lend without their permission in writing.