

## Foam Chambers

### Description

Engineered for the application of firefighting foam into vertical fixed-roof storage tanks containing flammable or combustible liquids in industrial plants and refineries, these low maintenance Foam Chambers are here to protect your storage tanks before things get out of hand!

These Foam Chambers mount externally on the tank shell, near the roof level and can deliver up to 710 GPM (2700 LPM) of foam solution!

If you have questions regarding what size Foam Chamber might be right for you, reach out to us at [info@usfirepump.com](mailto:info@usfirepump.com) and our team will be happy to help!



### Features

- Glass Vapor Seal
- Carbon or 316 Stainless – Steel Construction
- Hot Dip Galvanizing for Carbon Models
- Foam Concentrate: 3% or 6%
- Foam Deflector for Directing Foam (optional)
- Changeable Orifice Plate

### Application

- Oil and Gas Refineries, Tank Farms, Plants
- Chemical Manufacturers & Storage Facilities
- Aviation Fuel Storage
- Marine and Port Terminals
- Food & Beverage Processing

### Compatibility

These units are compatible with most firefighting foams, including our Dwight’s Signature Series and Shield Series Line of Foams! See our Foam section of our website for more information!



**NOTICE** Although the information and recommendations set forth herein (hereinafter “information”) are presented in good faith and believed to be correct as of the date hereof, US FIRE PUMP and its affiliates makes no representations or warranties as to the completeness or accuracy thereof. Information is supplied on the condition that the persons receiving same will make their own determination as to its suitability for their purposes prior to use. In no event will US FIRE PUMP be responsible for damages of any nature whatsoever resulting from the use of or reliance upon information or the product to which the information refers. Nothing contained herein is to be construed as a recommendation to use any product, process, equipment or formulation in conflict with any patent, and US FIRE PUMP makes no representation or warranty, express or implied, that the use thereof will not infringe any patent. NO REPRESENTATIONS OR WARRANTIES, EITHER EXPRESSED OR IMPLIED, OF MERCHANTABILITY, FITNESS FOR A PARTICULAR PURPOSE OR OF ANY OTHER NATURE ARE MADE HEREUNDER WITH RESPECT TO INFORMATION OR THE PRODUCT TO WHICH INFORMATION REFERS.

**FOR MORE INFORMATION VISIT [WWW.USFIREPUMP.COM](http://WWW.USFIREPUMP.COM)**

US FIRE PUMP COMPANY, LLC  
 27995 James Chapel Road North, Holden, LA 70744  
 MAILING: PO Box 1810, Albany, LA 70711

**EMERGENCY 24 HOUR RESPONSE: (225) 209-6551**

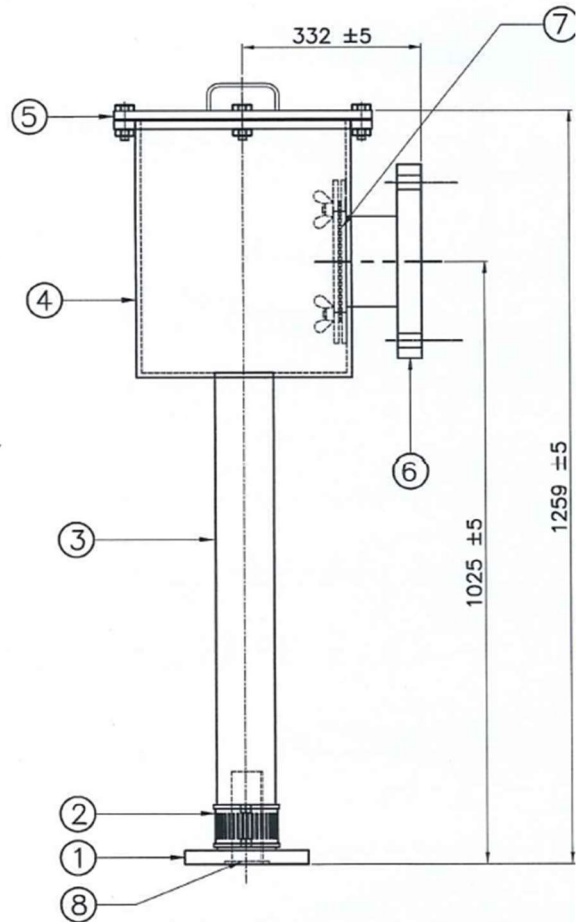
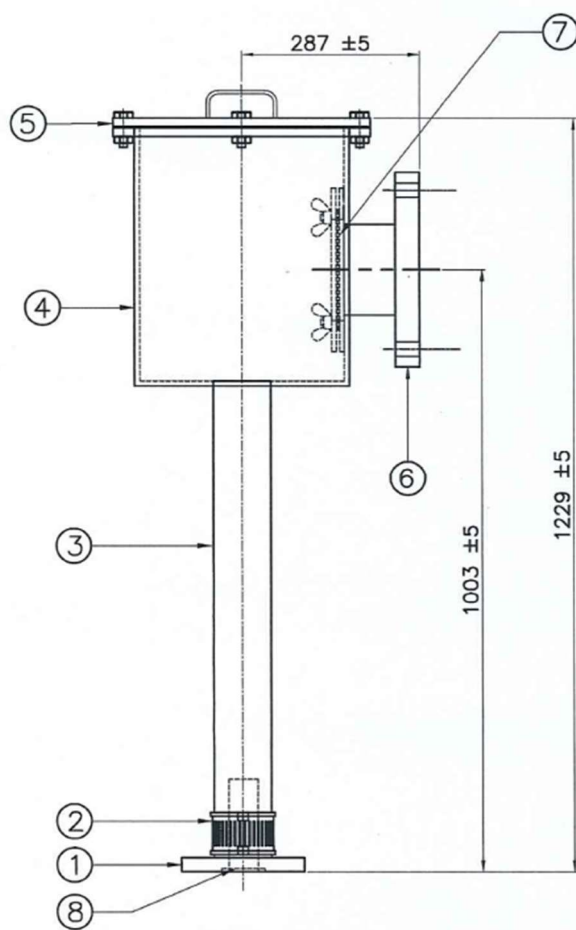


USFP-202503-6

Technical Specifications

<b>Model</b>	FC-1800	FC-2700
<b>Flow</b>	238 – 476 GPM (900 – 1800 LPM)	476 – 713 GPM (1800 – 2700 LPM)
<b>Foam Concentrate</b>	3% or 6%	3% or 6%
<b>Inlet</b>	4" ANSI 150 flange (100NB)	6" ANSI 150 flange (150NB)
<b>Outlet</b>	8" ANSI 150 flange (200NB)	10" ANSI 150 flange (250NB)
<b>Working Pressure</b>	43 – 100 Psi (3 – 7 kg/cm <sup>2</sup> )	43 – 100 Psi (3 – 7 kg/cm <sup>2</sup> )
<b>Vapor Seal Rupture Pressure</b>	10-25 PSI (.7-1.75 kg/cm <sup>2</sup> )	10-25 PSI (.7-1.75 kg/cm <sup>2</sup> )
<b>Chamber Material</b>	304 Stainless-steel	304 Stainless-steel
<b>Vapor Seal material</b>	Fiber Reinforced Polymer (FRP)	Fiber Reinforced Polymer (FRP)
<b>Dimensions L x W x H</b>	23" x 23" x 48" (574 x 574 x 1229 mm)	26" x 26" x 50" (664 x 664 x 1259 mm)
<b>Finish</b>	Red	Red

**Note:** Specifications are for reference only and subject to change without prior notice.  
 Specifications vary depending on configurations and options.  
 Send inquiries to US Fire Pump for details.



**FOR MORE INFORMATION VISIT [WWW.USFIREPUMP.COM](http://WWW.USFIREPUMP.COM)**

US FIRE PUMP COMPANY, LLC  
 27995 James Chapel Road North, Holden, LA 70744  
 MAILING: PO Box 1810, Albany, LA 70711

**EMERGENCY 24 HOUR RESPONSE: (225) 209-6551**



USFP-202503-6